

JUMO GmbH & Co. KG
Delivery address: Mackenrodtstraße 14
36039 Fulda, Germany
Postal address: 36035 Fulda, Germany
Phone: +49 661 6003-0
Fax: +49 661 6003-607
Email: mail@jumo.net
Internet: www.jumo.net

JUMO Instrument Co. Ltd.
JUMO House
Temple Bank, Riverway
Harlow, Essex CM 20 2DY, UK
Phone: +44 1279 63 55 33
Fax: +44 1279 62 50 29
Email: sales@jumo.co.uk
Internet: www.jumo.co.uk

JUMO Process Control, Inc.
6733 Myers Road
East Syracuse, NY 13057, USA
Phone: +1 315 437 5866
Fax: +1 315 437 5860
Email: info.us@jumo.net
Internet: www.jumousa.com



JUMO tecLine CR

Stainless steel and titanium conductive conductivity sensors

Type series 202924 (previous type series 2 EL6...)

Typical areas of application

- Pure and highly-purified water
- Pharmaceutical industry
- Chemicals
- Food technology
- Chip manufacturing
- Ion exchangers
- Reverse osmosis plants

Features

- 2-electrodes principle
- For measuring ranges from 0.05 $\mu\text{S/cm}$ to 1 mS/cm
- Sturdy design type
- Wide variety of process connections
- Various insertion lengths
- Pharmaceutical version available
- Made up of physiologically safe, FDA-compliant materials

Brief description

JUMO conductivity sensors are used in conjunction with suitable transducers to define the electrolytic conductivity in liquids. The type series 202924 sensors work according to the 2-electrodes principle. The transducer supplies them with alternating voltage. The current that is carried through the liquid and the electrodes is defined by the medium's conductivity.

Special versions

Pharmaceutically-compliant conductivity sensors with a surface roughness $< 0.8 \mu\text{m}$ are supplied as "pharmaceutical packages" with certificates (ASTM test certificate, FDA approval for insulators and O-rings, inspection certificate 3.1). The sensors are packed air tight in foil.

A special conductivity sensor is available for **high temperature applications**. This sensor can be used for medium temperatures of up to 200 °C and a maximum pressure of 17 bar.

Furthermore, we also offer conductivity sensors as **thin versions** that have a shaft diameter of only 16 mm.



Type 202924/10... (Example)



Type 202924/20... (Example)



Type 202924/30... (Example)

JUMO GmbH & Co. KG
 Delivery address: Mackenrodtstraße 14
 36039 Fulda, Germany
 Postal address: 36035 Fulda, Germany
 Phone: +49 661 6003-0
 Fax: +49 661 6003-607
 Email: mail@jumo.net
 Internet: www.jumo.net

JUMO Instrument Co. Ltd.
 JUMO House
 Temple Bank, Riverway
 Harlow, Essex CM 20 2DY, UK
 Phone: +44 1279 63 55 33
 Fax: +44 1279 62 50 29
 Email: sales@jumo.co.uk
 Internet: www.jumo.co.uk

JUMO Process Control, Inc.
 6733 Myers Road
 East Syracuse, NY 13057, USA
 Phone: +1 315 437 5866
 Fax: +1 315 437 5860
 Email: info.us@jumo.net
 Internet: www.jumousa.com



Technical data

Type	202924/10...	202924/20...	202924/21...	202924/30...	202924/31...
Cell constants ^a	K = 0.01 cm ⁻¹ K = 0.1 cm ⁻¹				
Typical measuring ranges ^b	0.05 to 10 µS/cm (when K = 0.01) 1 µS to 1 mS/cm (when K = 0.1)				
Temperature compensation	With Pt100 or Pt1000, both at least class A				
Process connections	Thread G 1/2 A, Thread G 3/4 A, Thread G 1 A, Thread 1/2"-14 NPT, Thread 3/4"-14 NPT, Taper socket DN 25 (milk cone), Clamp DN 25	Thread G 1/2 A Clamp DN 25	Clamp DN 25	JUMO PEKA Adapter: Orbital welding socket DN 25-40, VARIVENT® DN 50- 150	JUMO PEKA Adapter: Orbital welding socket DN 25-40, VARIVENT® DN 50- 150, Clamp DN 25-50, Aseptic DN 40/50, Aseptic NKS DN 40
Body materials	PVDF (default), Stainless steel 1.4571 (optional extra), High temperature version: Stainless steel 1.4404 (optional extra)	Stainless steel 1.4435, similar to 316L, version for pharmaceutical industry			
Cell materials	Stainless steel 1.4571 (default), Titanium (optional extra) High temperature version: Stainless steel 1.4404 (default)	Stainless steel 1.4435, similar to 316L, version for pharmaceutical industry			
Operating temperature	Up to 135 °C; High temperature version: Up to 200 °C	Up to 135 °C		Up to 135 °C (standard operation); Up to 150 °C (sterilization, max. 45 min.)	
Maximum pressure	16 bar at 25 °C or 9 bar at 60 °C; High temperature version: 40 bar at 25 °C or 17 bar at 200 °C;	16 bar at 25 °C or 1 bar at 135 °C		9 bar at 25 °C or 5 bar at 150 °C, max. 45 min.	
Electrical connections	Right-angle connector (default) Fixed cable (optional extra) High temperature version: Right-angle connector	M12 connector (default) Fixed cable (optional extra) Right-angle con- nector (optional extra)	M12 connector		

Certificates

ASTM test certificate	Determination of the exactly measured cell constant according to ASTM D1125-95 and ASTM D5391-99 (one-point calibration)
FDA approval	The plastics used (insulators and O-rings) are FDA-listed
Optional certificates	Certificate of compliance according to EN 10204 2.1, EN 10204 2.2, EN 10204 3.1 (material, roughness)

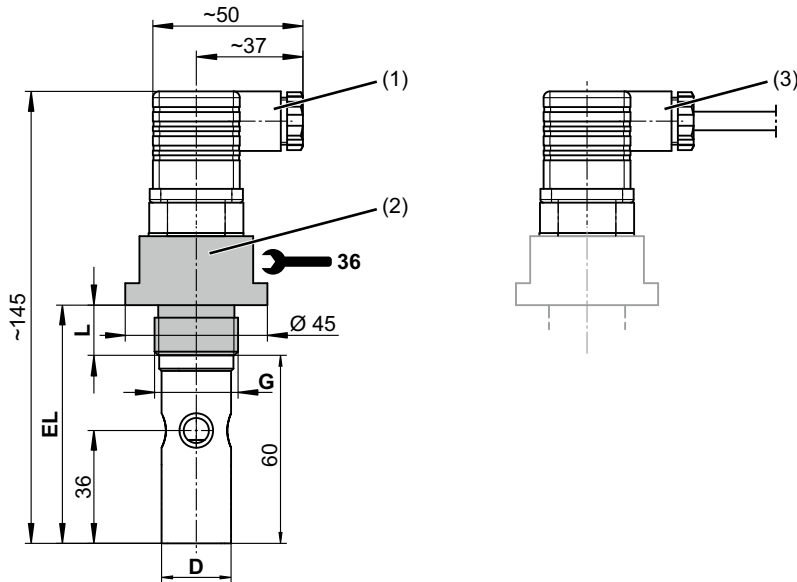
^a The cell constant can differ by ±10 % of the nominal value depending on manufacturing. This deviation can be equalized on the transducer.

^b The measuring ranges depend on the transducer being used. When used in measuring ranges larger than the "typical" one, incorrect measured values may occur due to polarization.



Type 202924/10 dimensions...

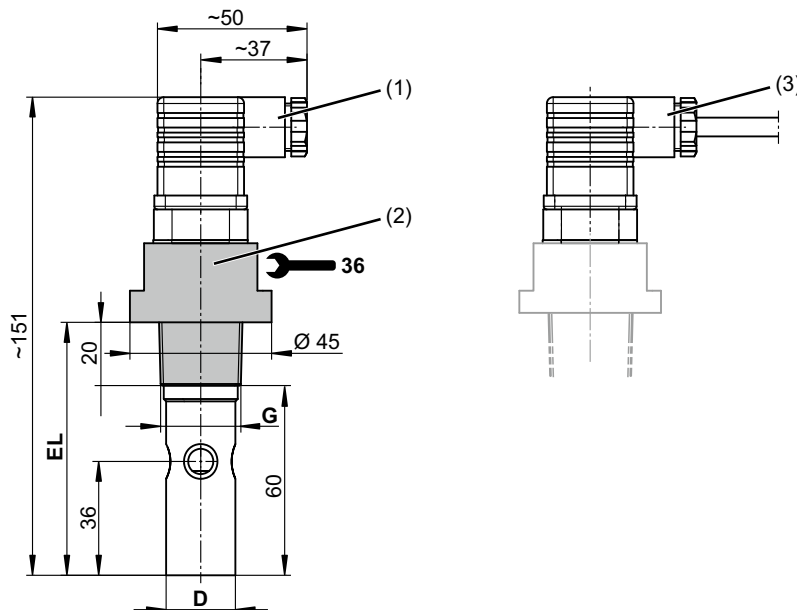
Process connections -104, -105 und -106 (G thread)



Thread	L	Shaft Ø	Insertion length EL
G 1/2 A	14	16	74
G 3/4 A	16	22	76
G 1 A	18	22	78

- (1) Right-angle connector (default) (3) Fixed cable (optional extra)
 (2) Process connection

Process connections -144 and -145 (NPT thread)



Thread	Shaft Ø	Insertion length EL
G	D	EL
1/2-14 NPT	16	80
3/4-14 NPT	22	80

- (1) Right-angle connector (default) (3) Fixed cable (optional extra)
 (2) Process connection

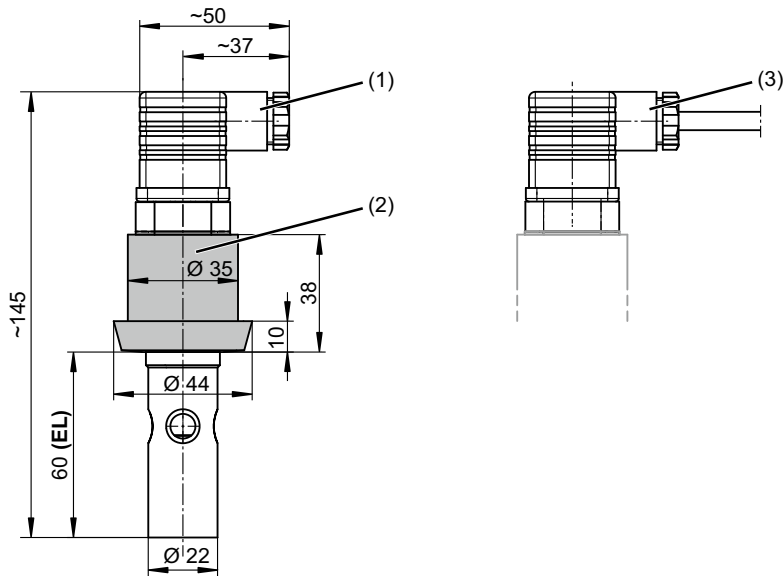
JUMO GmbH & Co. KG
 Delivery address: Mackenrodtstraße 14
 36039 Fulda, Germany
 Postal address: 36035 Fulda, Germany
 Phone: +49 661 6003-0
 Fax: +49 661 6003-607
 Email: mail@jumo.net
 Internet: www.jumo.net

JUMO Instrument Co. Ltd.
 JUMO House
 Temple Bank, Riverway
 Harlow, Essex CM 20 2DY, UK
 Phone: +44 1279 63 55 33
 Fax: +44 1279 62 50 29
 Email: sales@jumo.co.uk
 Internet: www.jumo.co.uk

JUMO Process Control, Inc.
 6733 Myers Road
 East Syracuse, NY 13057, USA
 Phone: +1 315 437 5866
 Fax: +1 315 437 5860
 Email: info.us@jumo.net
 Internet: www.jumousa.com

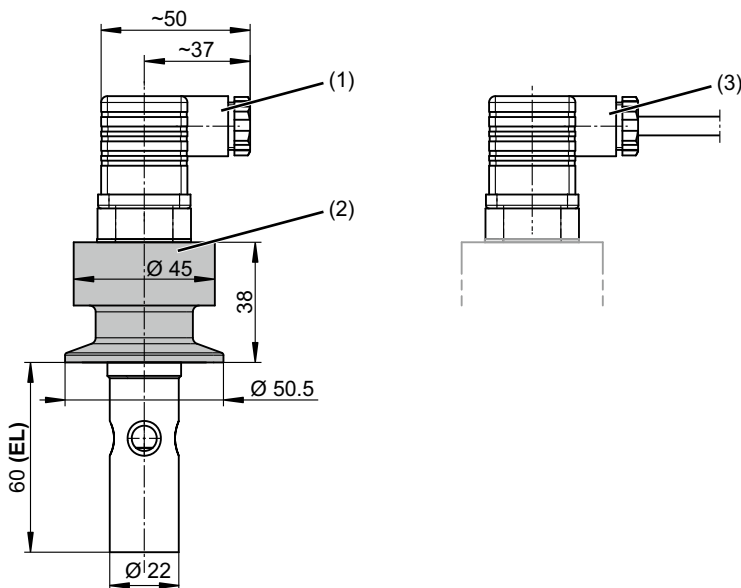


Process connection -604 "milk cone" (taper socket DN 25 according to DIN 11851)



- (1) Right-angle connector (default)
- (2) Process connection
- (3) Fixed cable (optional extra)

Process connection -613 (clamp DN 25)



- (1) Right-angle connector (default)
- (2) Process connection
- (3) Fixed cable (optional extra)

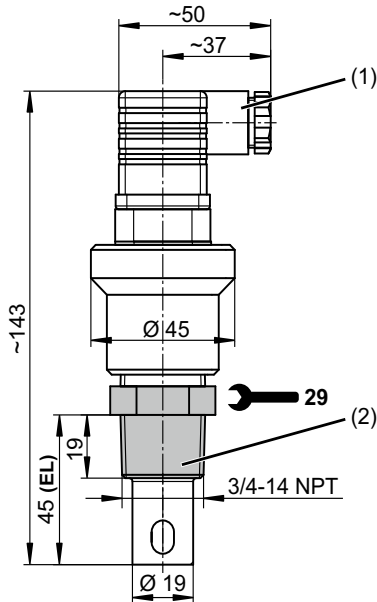
JUMO GmbH & Co. KG
Delivery address: Mackenrodtstraße 14
36039 Fulda, Germany
Postal address: 36035 Fulda, Germany
Phone: +49 661 6003-0
Fax: +49 661 6003-607
Email: mail@jumo.net
Internet: www.jumo.net

JUMO Instrument Co. Ltd.
JUMO House
Temple Bank, Riverway
Harlow, Essex CM 20 2DY, UK
Phone: +44 1279 63 55 33
Fax: +44 1279 62 50 29
Email: sales@jumo.co.uk
Internet: www.jumo.co.uk

JUMO Process Control, Inc.
6733 Myers Road
East Syracuse, NY 13057, USA
Phone: +1 315 437 5866
Fax: +1 315 437 5860
Email: info.us@jumo.net
Internet: www.jumousa.com



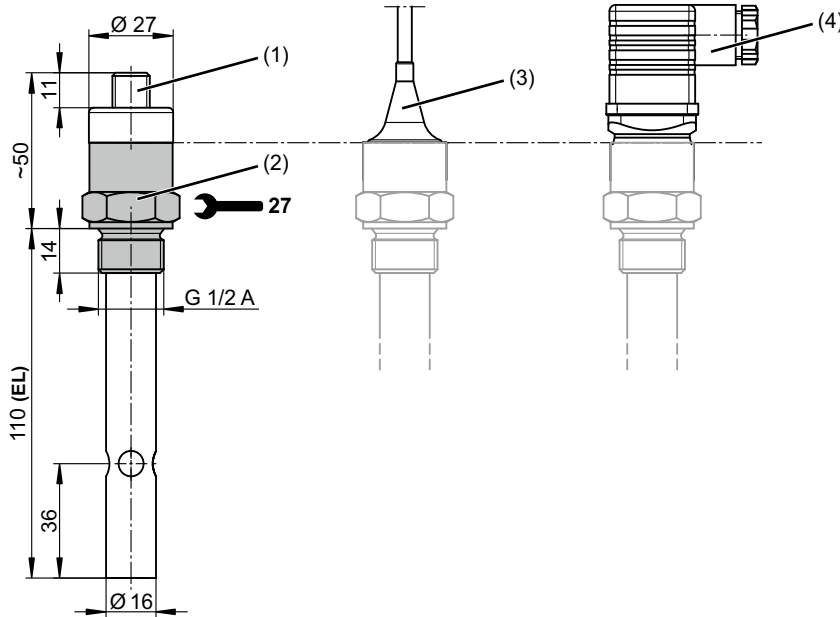
High temperature version (extra code -765)



- (1) Right-angle connector
- (2) Process connection

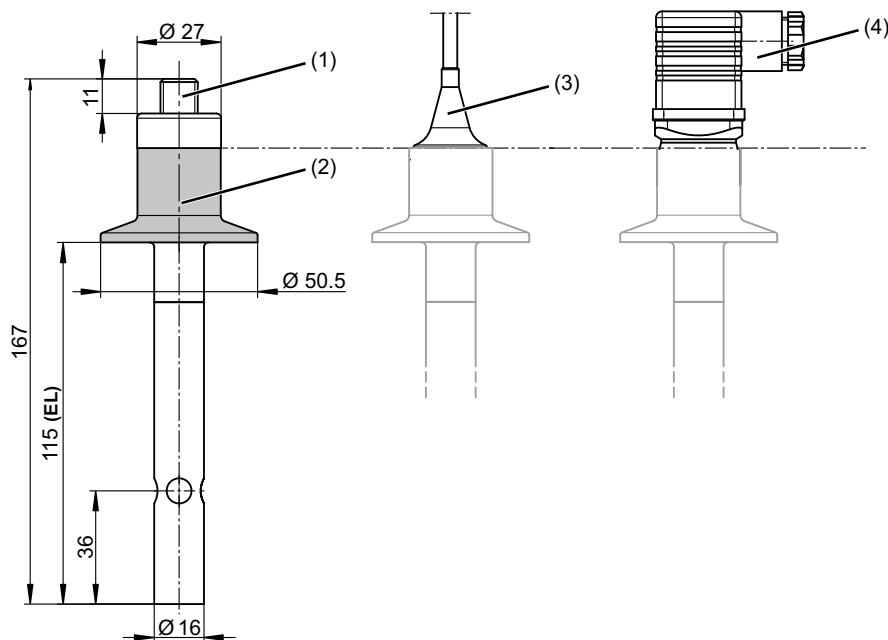
Type 202924/20 dimensions...

Process connection -104 (thread G 1/2 A)



- (1) M12 connector (default)
- (2) Process connection
- (3) Fixed cable (optional extra)
- (4) Right-angle connector (optional extra)

Process connection -613 (clamp DN 25)

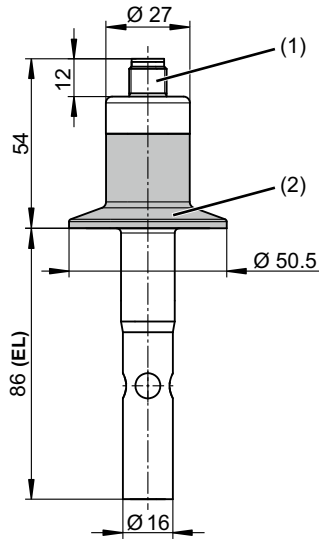


- (1) M12 connector (default)
- (2) Process connection
- (3) Fixed cable (optional extra)
- (4) Right-angle connector (optional extra)



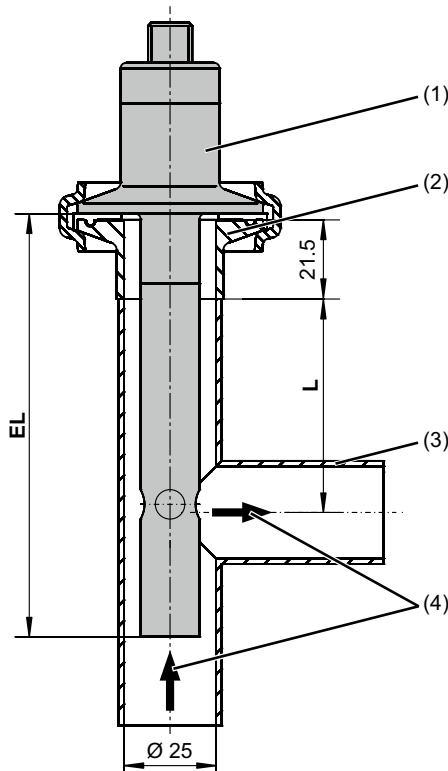
Type 202924/21 dimensions...

Process connection -613 (clamp DN 25)



- (1) M12 connector
- (2) Process connection

Type 202924/20... and /21... installation example



- (1) Sensor with process connection clamp DN 25
- (2) Clamp socket DIN DN 25, 1", ISO DN 20
- (3) T-piece (**not included in the scope of delivery!**)
- (4) Flow direction

Recommended T-piece for installing the sensors

Sensor	T-piece	Length L
202924/20... EL = 115 mm	DIN 11852, DN 25	50 mm
202924/21... EL = 86 mm	Similar DIN 11852, DN 25	27 mm

JUMO GmbH & Co. KG
 Delivery address: Mackenrodtstraße 14
 36039 Fulda, Germany
 Postal address: 36035 Fulda, Germany
 Phone: +49 661 6003-0
 Fax: +49 661 6003-607
 Email: mail@jumo.net
 Internet: www.jumo.net

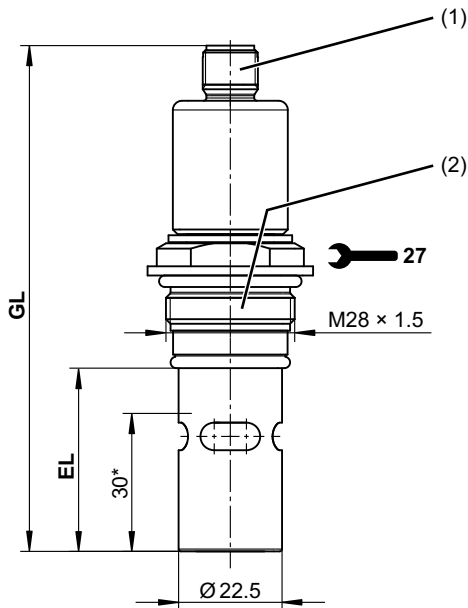
JUMO Instrument Co. Ltd.
 JUMO House
 Temple Bank, Riverway
 Harlow, Essex CM 20 2DY, UK
 Phone: +44 1279 63 55 33
 Fax: +44 1279 62 50 29
 Email: sales@jumo.co.uk
 Internet: www.jumo.co.uk

JUMO Process Control, Inc.
 6733 Myers Road
 East Syracuse, NY 13057, USA
 Phone: +1 315 437 5866
 Fax: +1 315 437 5860
 Email: info.us@jumo.net
 Internet: www.jumousa.com



Type 202924/30... and /31... dimensions

Process connection -997 (JUMO PEKA with EHEDG certificate)



Installation length EL	Total length GL	Sensor type
40	110	202924/30...
70	140	202924/31...

- (1) M12 connector
- (2) Process connection 997 (PEKA),
Stainless steel 1.4435

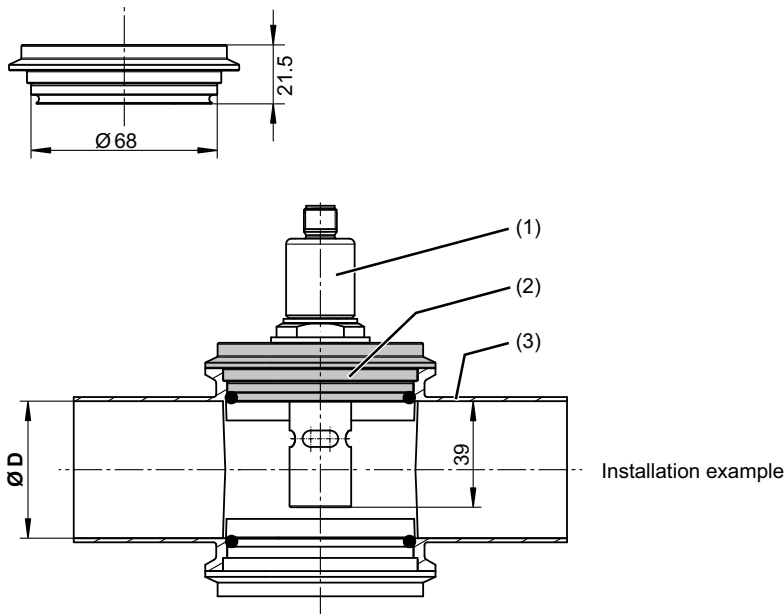
* Minimum immersion depth



Process connection adapter for type 202924/30... and /31...

Varivent DN 40 - 150

Part no.: 00577961



VARIVENT® housing DN ^a	Ø D	Sensor type
40	40	--
50	50	202924/30
65	70	202924/30
80	81	202924/30 ^b 202924/31
100	100	202924/30 ^b 202924/31
125	125	202924/30 ^b 202924/31
150	150	202924/30 ^b 202924/31

^a To be provided by the customer.

^b Preferred sensor type.

O-ring not included in the scope of delivery!

- (1) JUMO tecLine CR-PEKA sensor (3) VARIVENT® housing
 (2) VARIVENT® DN 40 - 150 process adapter

Welding socket

Ø 55

Part no.: 00447190

Orbital welding socket DN 25

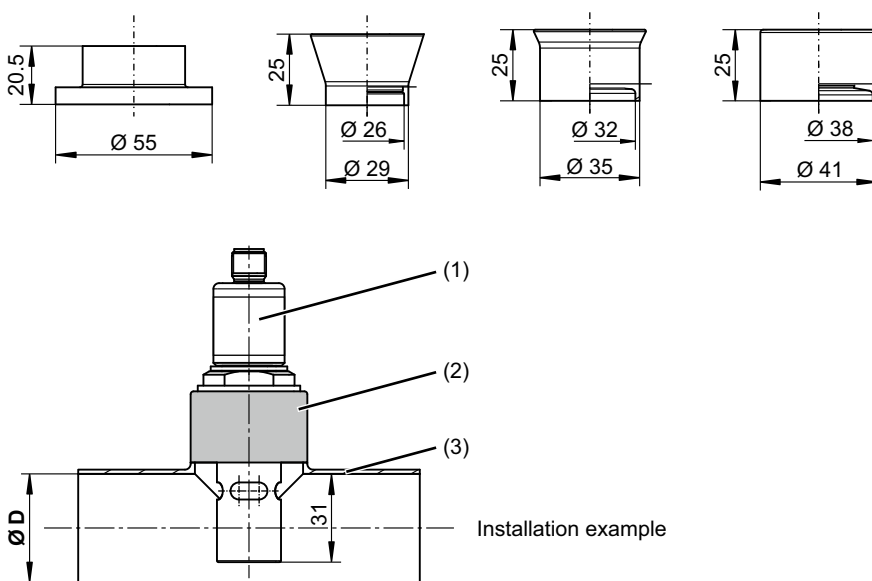
Part no.: 00530211

Orbital welding socket DN 32

Part no.: 00530212

Orbital welding socket DN 40

Part no.: 00531973



Orbital welding socket DN	T-piece DN ^a	Ø D	Sensor type ^e
25/32/40	40-25/32/40	38	202924/30
	50-25/32/40	50	
	65-25/32/40	70	
	80-25/32/40	81	202924/30 ^b 202924/31
	100-25/32/40	100	202924/30 ^b 202924/31
	125-25/32/40	125	202924/30 ^b 202924/31
150-25/32/40	150	202924/30 ^b 202924/31	

^a To be provided by the customer.

^b Preferred sensor type.

- (1) JUMO tecLine CR-PEKA sensor (3) Short T-piece, similar to DIN 11852
 (2) Welding socket

JUMO GmbH & Co. KG
 Delivery address: Mackenrodtstraße 14
 36039 Fulda, Germany
 Postal address: 36035 Fulda, Germany
 Phone: +49 661 6003-0
 Fax: +49 661 6003-607
 Email: mail@jumo.net
 Internet: www.jumo.net

JUMO Instrument Co. Ltd.
 JUMO House
 Temple Bank, Riverway
 Harlow, Essex CM 20 2DY, UK
 Phone: +44 1279 63 55 33
 Fax: +44 1279 62 50 29
 Email: sales@jumo.co.uk
 Internet: www.jumo.co.uk

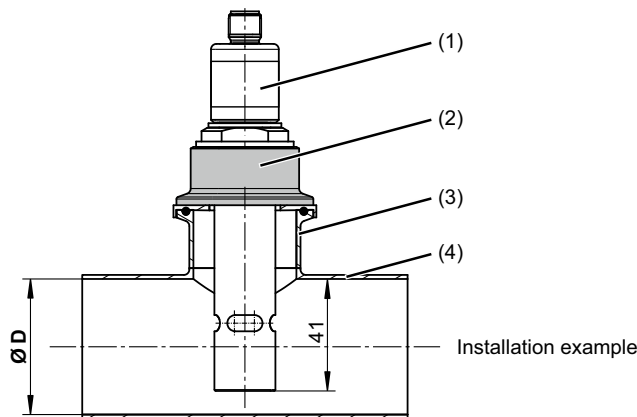
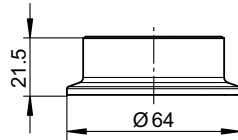
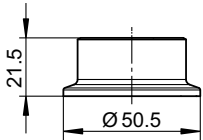
JUMO Process Control, Inc.
 6733 Myers Road
 East Syracuse, NY 13057, USA
 Phone: +1 315 437 5866
 Fax: +1 315 437 5860
 Email: info.us@jumo.net
 Internet: www.jumousa.com



Process connection adapter for type 202924/31...

Clamp DN 25/32/40
 Part no.: 00577998

Clamp DN 50
 Part no.: 00577997



- (1) JUMO tecLine CR-PEKA sensor
- (2) Clamp process adapter
- (3) Clamp socket DIN 32676
- (4) Short T-piece, similar to DIN 11852

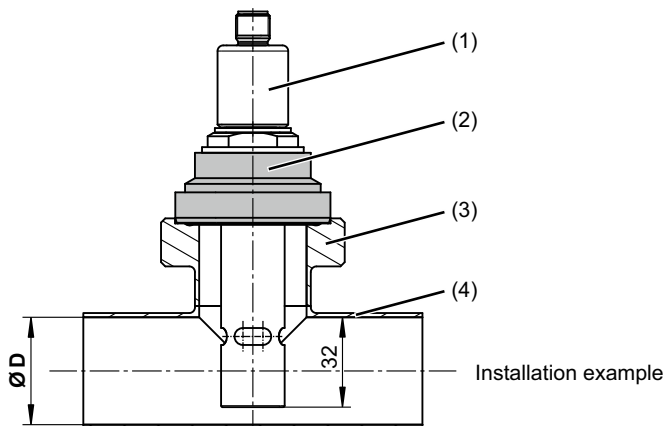
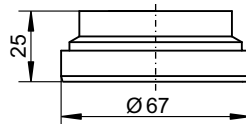
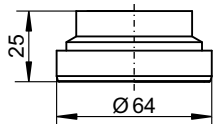
Clamp socket DN ^a	T-piece DN ^a	Ø D
25/32/40	50 - 25/32/40	50
	65 - 25/32/40	70
	80 - 25/32/40	81
	100 - 25/32/40	100
	125 - 25/32/40	125
50	150 - 25/32/40	150
	50 - 50	50
	65 - 50	70
	80 - 50	81
	100 - 50	100
	125 - 50	125
	150 - 50	150

^a To be provided by the customer.

O-ring not included in the scope of delivery!

Aseptik DN 40
 Part no.: 00577995

Aseptik DN 50
 Part no.: 00577979



- (1) JUMO tecLine CR-PEKA sensor
- (2) Aseptic process adapter
- (3) Threaded connection DIN 11864-1
- (4) Short T-piece, similar to DIN 11852

Threaded connection DN ^a	T-piece DN ^a	Ø D
40	40 - 40	38
	50 - 40	50
	65 - 40	70
	80 - 40	81
	100 - 40	100
	125 - 40	125
50	150 - 40	150
	50 - 50	50
	65 - 50	70
	80 - 50	81
	100 - 50	100
	125 - 50	125
	150 - 50	150

^a To be provided by the customer.

O-ring not included in the scope of delivery!

JUMO GmbH & Co. KG
 Delivery address: Mackenrodtstraße 14
 36039 Fulda, Germany
 Postal address: 36035 Fulda, Germany
 Phone: +49 661 6003-0
 Fax: +49 661 6003-607
 Email: mail@jumo.net
 Internet: www.jumo.net

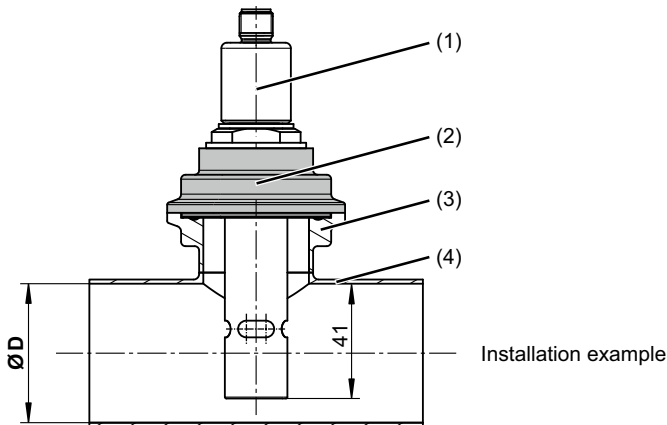
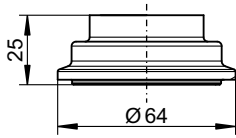
JUMO Instrument Co. Ltd.
 JUMO House
 Temple Bank, Riverway
 Harlow, Essex CM 20 2DY, UK
 Phone: +44 1279 63 55 33
 Fax: +44 1279 62 50 29
 Email: sales@jumo.co.uk
 Internet: www.jumo.co.uk

JUMO Process Control, Inc.
 6733 Myers Road
 East Syracuse, NY 13057, USA
 Phone: +1 315 437 5866
 Fax: +1 315 437 5860
 Email: info.us@jumo.net
 Internet: www.jumousa.com



Aseptik NKS DN 40

Part no.: 00577999



Collar clamp socket ^a	T-piece DN ^a	Ø D
NKS DN 40 form A	50 - 40	50
	65 - 40	70
	80 - 40	81
	100 - 40	100
	125 - 40	125
	150 - 40	150

^a To be provided by the customer.

O-ring not included in the scope of delivery!

- (1) JUMO tecLine CR-PEKA sensor
- (2) Aseptic process adapter NKS DN 40
- (3) Collar clamp socket DIN 11864-3
- (4) Short T-piece, similar to DIN 11852


JUMO GmbH & Co. KG
Delivery address: Mackenrodtstraße 14
36039 Fulda, Germany
Postal address: 36035 Fulda, Germany
Phone: +49 661 6003-0
Fax: +49 661 6003-607
Email: mail@jumo.net
Internet: www.jumo.net

JUMO Instrument Co. Ltd.
JUMO House
Temple Bank, Riverway
Harlow, Essex CM 20 2DY, UK
Phone: +44 1279 63 55 33
Fax: +44 1279 62 50 29
Email: sales@jumo.co.uk
Internet: www.jumo.co.uk

JUMO Process Control, Inc.
6733 Myers Road
East Syracuse, NY 13057, USA
Phone: +1 315 437 5866
Fax: +1 315 437 5860
Email: info.us@jumo.net
Internet: www.jumousa.com



Electrical connection

Connection for	right-angle connector	M12 connector	Fixed cable
Outer electrode		1	White
Inner electrode	2	2	Brown
Temperature compensation (optional extra)	3	3 4	Yellow Green
3-wire circuit		5	

JUMO GmbH & Co. KG
 Delivery address: Mackenrodtstraße 14
 36039 Fulda, Germany
 Postal address: 36035 Fulda, Germany
 Phone: +49 661 6003-0
 Fax: +49 661 6003-607
 Email: mail@jumo.net
 Internet: www.jumo.net

JUMO Instrument Co. Ltd.
 JUMO House
 Temple Bank, Riverway
 Harlow, Essex CM 20 2DY, UK
 Phone: +44 1279 63 55 33
 Fax: +44 1279 62 50 29
 Email: sales@jumo.co.uk
 Internet: www.jumo.co.uk

JUMO Process Control, Inc.
 6733 Myers Road
 East Syracuse, NY 13057, USA
 Phone: +1 315 437 5866
 Fax: +1 315 437 5860
 Email: info.us@jumo.net
 Internet: www.jumousa.com



Order details

					(1) Basic type
202924					Conductivity sensors
					(2) Basic type extension
10					JUMO tecLine CR-VA (Ø 22 mm and others)
20					JUMO tecLine CR-VA SL (Ø 16 mm, insertion length 115 mm)
21					JUMO tecLine CR-VA SL-S (Ø 16 mm, insertion length 86 mm)
30					JUMO tecLine CR-PEKA S (Ø 22.5 mm, insertion length 40 mm)
31					JUMO tecLine CR-PEKA L (Ø 22.5 mm, insertion length 70 mm)
					(3) Cell constant
X	X	X	X	X	0001 K = 0.01 (measuring range 0.1 to 20 MΩcm or 0.05 to 10 µS/cm) ^a
X	X	X	X	X	0010 K = 0.1 (measuring range 1 µS to 1 mS/cm) ^a
					(4) Measuring insert
X	X	X			0000 None
X	X	X			1003 Pt100
X	X	X	X	X	1005 Pt1000
					(5) Process connection
X	X				104 Thread G 1/2 A
X					105 Thread G 3/4 A
X					106 Thread G 1 A
X					144 Thread 1/2"-14 NPT
X					145 Thread 3/4"-14 NPT
X					604 Taper socket DIN 11851 DN 25 (milk cone)
X	X	X			613 Clamp DN 25
			X	X	997 JUMO PEKA ^b With EHEDG certification
					(6) Electrical connection
X	X				17 Permanent cable connection, line length 5 m
X	X				37 Right-angle connector according to DIN 43650
	X	X	X	X	83 M12 connector
					(7) Process connection material
X					24 Stainless steel 1.4404 (only in HT version (extra code 765))
X					26 Stainless steel 1.4571
X	X	X	X	X	31 Stainless steel 1.4435 (similar to 316L, version for pharmaceutical industry)
X					88 PVDF (default)
					(8) Electrode material
X	X	X			24 Stainless steel 1.4404 (only in HT version (extra code 765))
X					26 Stainless steel 1.4571
X	X	X	X	X	31 Stainless steel 1.4435 (similar to 316L, version for pharmaceutical industry)
X	X				60 Titanium ^c
					(9) Extra code
X	X	X	X	X	000 None
X					765 High temperature (HT) version ^d (Cell constant K = 0.1)

^a The measuring ranges depend on the transducer being used. When used in measuring ranges larger than the "typical" one, incorrect measured values may occur due to polarization.

^b Please order PEKA adapters separately, see accessories.

^c Only available in connection with process connection material 88 (PVDF).

^d Only available with process connection 145 (thread 3/4"-14 NPT).

Order code (1) / (2) - (3) - (4) - (5) - (6) - (7) - (8) / (9)
Order example 202924 / 10 - 0010 - 1003 - 105 - 37 - 88 - 26 / 000

JUMO GmbH & Co. KG
 Delivery address: Mackenrodtstraße 14
 36039 Fulda, Germany
 Postal address: 36035 Fulda, Germany
 Phone: +49 661 6003-0
 Fax: +49 661 6003-607
 Email: mail@jumo.net
 Internet: www.jumo.net

JUMO Instrument Co. Ltd.
 JUMO House
 Temple Bank, Riverway
 Harlow, Essex CM 20 2DY, UK
 Phone: +44 1279 63 55 33
 Fax: +44 1279 62 50 29
 Email: sales@jumo.co.uk
 Internet: www.jumo.co.uk

JUMO Process Control, Inc.
 6733 Myers Road
 East Syracuse, NY 13057, USA
 Phone: +1 315 437 5866
 Fax: +1 315 437 5860
 Email: info.us@jumo.net
 Internet: www.jumousa.com



Important information:

The order code is not modular. When placing orders, if possible please select the items listed under "**Stock versions**" or "**Production versions**".
We must check the technical feasibility of and approve freely chosen combinations of individual code parts.

Stock versions

Standard

Delivery within 3 working days after receipt of order

Order code	Brief description	Part no.
202924/10-0010-0000-105-37-88-26/000	K = 0.1/G 3/4A	00300203
202924/10-0010-1003-105-37-88-26/000	K = 0.1/Pt100/G 3/4A	00300202
202924/10-0010-1003-104-37-88-26/000	K = 0.1/Pt100/G 1/2A	00338487
202924/10-0001-0000-105-37-88-26/000	K = 0.01/G 3/4A	00300204
202924/10-0001-1003-105-37-88-26/000	K = 0.01/Pt100/G 3/4A	00300079
202924/10-0001-1003-106-37-88-26/000	K = 0.01/Pt100/G 1A	00089393
202924/20-0010-1003-104-83-31-31/000	K = 0.1/Pt100/G 1/2A/Ø 16 mm	00456809
202924/20-0001-1003-104-83-31-31/000	K = 0.01/Pt100/G 1/2A/Ø 16 mm	00452527

Pharmaceutical packages with certificates

Order code	Cell constant	Measuring insert	Brief description	Part no.
202924/10-0001-1003-613-37-31-31/000	K = 0.01	Pt100 class A	Clamp DN 25 and object in stainless steel 1.4435, packed air tight in foil, incl. ASTM test certificate, FDA approval for insulators and O-rings, inspection certificate 3.1, R _a < 0.8 µm	00420617
202924/10-0010-1003-613-37-31-31/000	K = 0.1			00405886
202924/20-0001-1003-613-83-31-31/000	K = 0.01			00456810
202924/20-0010-1003-613-83-31-31/000	K = 0.1			00456812
202924/21-0001-1005-613-83-31-31/000	K = 0.01	Pt1000 class A		00620488
202924/21-0010-1005-613-83-31-31/000	K = 0.1			00620490
202924/30-0001-1005-997-83-31-31/000 ^a	K = 0.01			00562982
202924/30-0010-1005-997-83-31-31/000 ^a	K = 0.1			00562983
202924/31-0001-1005-997-83-31-31/000 ^a	K = 0.01			00562984
202924/31-0010-1005-997-83-31-31/000 ^a	K = 0.1			00562986

^a Please order PEKA adapters separately, see accessories.

JUMO GmbH & Co. KG
 Delivery address: Mackenrodtstraße 14
 36039 Fulda, Germany
 Postal address: 36035 Fulda, Germany
 Phone: +49 661 6003-0
 Fax: +49 661 6003-607
 Email: mail@jumo.net
 Internet: www.jumo.net

JUMO Instrument Co. Ltd.
 JUMO House
 Temple Bank, Riverway
 Harlow, Essex CM 20 2DY, UK
 Phone: +44 1279 63 55 33
 Fax: +44 1279 62 50 29
 Email: sales@jumo.co.uk
 Internet: www.jumo.co.uk

JUMO Process Control, Inc.
 6733 Myers Road
 East Syracuse, NY 13057, USA
 Phone: +1 315 437 5866
 Fax: +1 315 437 5860
 Email: info.us@jumo.net
 Internet: www.jumousa.com



Manufacturing versions

Standard

Delivery within 10 working days after receipt of order

Order code	Brief description	Part no.
202924/10-0001-0000-105-37-26-26/000	K = 0.01/G 3/4 A/process connection 1.4571	00353041
202924/10-0001-1003-604-37-88-26/000	K = 0.01/Pt100/milk cone	00089395
202924/10-0010-1003-106-37-88-26/000	K = 0.1/Pt100/G 1A	00089389
202924/10-0010-0000-105-37-26-26/000	K = 0.1/G 3/4 A/process connection 1.4571	00350627
202924/10-0010-1003-613-37-26-26/000	K = 0.1/Pt100/clamp DN 25/process connection 1.4571	00322533

High temperature version

Order code	Brief description	Part no.
202924/10-0010-1003-145-37-24-24/765	K = 0.1/Pt100/NPT3/4-14	00397615

Versions prepared for certificates

Order code	Brief description	Part no.
202924/10-0001-1003-105-37-88-26/000	K = 0.01/Pt100/G 3/4 A Version able to receive certificate – certificates must be ordered separately	00392030
202924/10-0010-1003-105-37-88-26/000	K = 0.1/Pt100/G 3/4 A Version able to receive certificate – certificates must be ordered separately	00392031

Optional certificates

Item	Part no.
Inspection certificate according to EN 10204 3.1 (please clearly specify when ordering: "material" and/or "roughness")	00365727
ASTM test certificate for exactly measured cell constant (one-point calibration)	00359893
FDA approval for insulators and O-rings	00423913

JUMO GmbH & Co. KG

Delivery address: Mackenrodtstraße 14
36039 Fulda, Germany
Postal address: 36035 Fulda, Germany
Phone: +49 661 6003-0
Fax: +49 661 6003-607
Email: mail@jumo.net
Internet: www.jumo.net

JUMO Instrument Co. Ltd.

JUMO House
Temple Bank, Riverway
Harlow, Essex CM 20 2DY, UK
Phone: +44 1279 63 55 33
Fax: +44 1279 62 50 29
Email: sales@jumo.co.uk
Internet: www.jumo.co.uk

JUMO Process Control, Inc.

6733 Myers Road
East Syracuse, NY 13057, USA
Phone: +1 315 437 5866
Fax: +1 315 437 5860
Email: info.us@jumo.net
Internet: www.jumousa.com



Accessories

Cable

Item	Part no.
Connecting cable, length 25 m, assembly by user, 4-pin + screen	00303681
Connecting cable, length 50 m, assembly by user, 4-pin + screen	00304181
Connecting cable including M12 cable socket (straight), length 10 m, 4-pin + screen	00458513
Connecting cable including M12 cable socket (straight), length 25 m, 4-pin + screen	00458514
Cable box M12 × 1, 4-pin, 713 series, angled form (cable not included in scope of delivery), gold-plated contacts	00318906

JUMO PEKA process connection adapter

Item	Part no.
... for VARIVENT® DN 40 - 125, stainless steel 1.4435/316 L ^a	00577961
... for clamp DN 25/32/40, stainless steel 1.4435/316 L ^a	00577998
... for clamp DN 50, stainless steel 1.4435/316 L ^a	00577997
... for aseptic DN 40, stainless steel 1.4435/316 L ^a	00577995
... for aseptic DN 50, stainless steel 1.4435/316 L ^a	00577979
... for aseptic NKS DN 40, stainless steel 1.4435/316 L ^a	00577999
Welding socket M 28, Ø 55 mm, stainless steel 1.4435/316L	00447190
Orbital welding socket DN 25, stainless steel 1.4435/316L	00530211
Orbital welding socket DN 32, stainless steel 1.4435/316L	00530212
Orbital welding socket DN 40, stainless steel 1.4435/316L	00531973

^a Including inspection certificate 3.1, R_a < 0.8 µm