

JUMO GmbH & Co. KG
 Delivery address: Mackenrodtstraße 14
 36039 Fulda, Germany
 Postal address: 36035 Fulda, Germany
 Phone: +49 661 6003-0
 Fax: +49 661 6003-607
 Email: mail@jumo.net
 Internet: www.jumo.net

JUMO Instrument Co. Ltd.
 JUMO House
 Temple Bank, Riverway
 Harlow, Essex, CM20 2DY, UK
 Phone: +44 1279 63 55 33
 Fax: +44 1279 62 50 29
 Email: sales@jumo.co.uk
 Internet: www.jumo.co.uk

JUMO Process Control, Inc.
 6733 Myers Road
 East Syracuse, NY 13057, USA
 Phone: +1 315 437 5866
 Fax: +1 315 437 5860
 Email: info.us@jumo.net
 Internet: www.jumousa.com



Router module 2-port

705041

Brief description

The router module 2-port (705041) is a system component of the JUMO variTRON automation system.

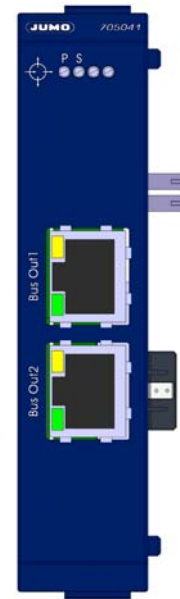
The router module 2-port is mounted on the same DIN rail along with a central processing unit of the JUMO variTRON system and provides 2 system bus outputs on the front. In conjunction with a router module 3-port (705042), which is used as the first module on another DIN rail, the input/output modules of the automation system can be distributed over several DIN rails or control cabinets.

The maximum distance between 2 router modules is 100 m. A maximum of 30 router modules (705041/42) and more than 30 input/output modules (depending on the module) can be used in a system.

LEDs are used to indicate the voltage supply and the operating status of the module.

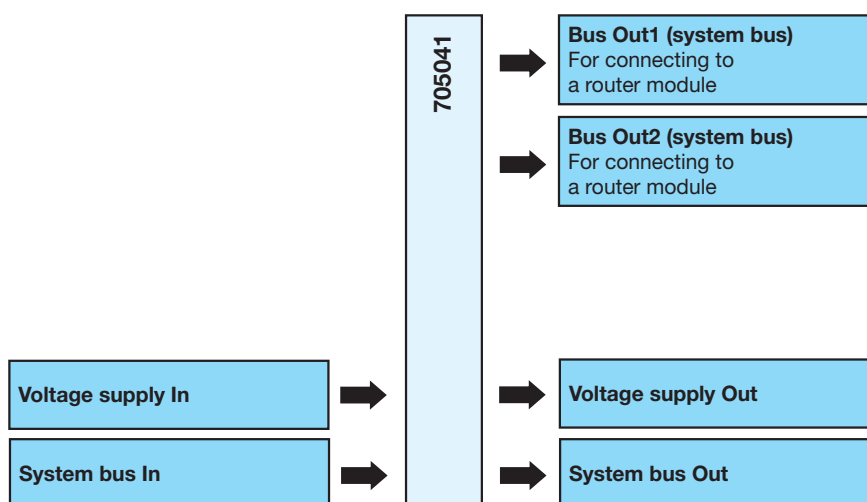
Configuration of the router module 2-port is not required. It is integrated into the automation system by a setup program.

For service purposes the module insert can be easily pulled out of the case at the front. The case, including the bus board, remains mounted on the DIN rail.



Type 705041

Block diagram



Features

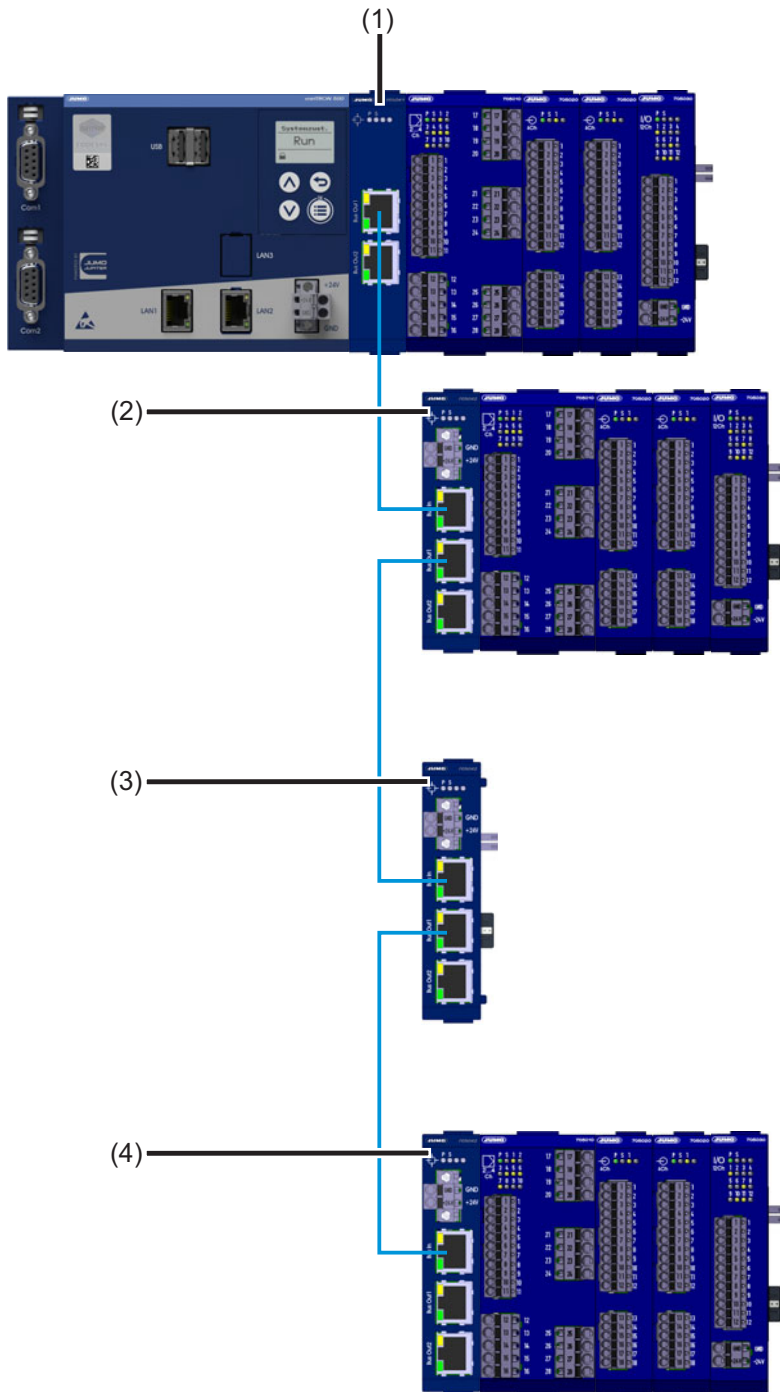
- Compatible with JUMO variTRON as of system version 3
- Decentralized module assignment supported
- Arrangement on DIN rail (lateral system bus input and output)
- System bus expansion via RJ45 sockets on the front (2 × Bus Out)
- Galvanic isolation of the system bus connections
- Quick wiring of operating voltage and system bus provided by simple module connection principle

Approvals and approval marks (see "Technical data")



Description

Connection example



- (1) Router module 2-port (705041), attached to JUMO variTRON 500 central processing unit (705002)
- (2) Router module 3-port (705042) with downstream modules
- (3) Router module 3-port (705042) to increase the range
- (4) Router module 3-port (705042) with downstream modules

The router module 2-port (705041) is used on the same DIN rail as the central processing unit and enables system bus networking with standard network cables (see Technical Data). The position of the router module 2-port on the DIN rail is freely selectable.

The router module 3-port (705042) is always used as the first module on a separate DIN rail and is designed for system expansion with additional modules. The router module 3-port can also be used to increase the system bus range.

System bus interconnection is only possible with the router modules of the JUMO variTRON system (closed system); conventional Ethernet switch technology cannot be used.

In the illustrated connection example, the voltage supply of the central processing unit and the modules is not shown (terminals +24 V and GND).

JUMO GmbH & Co. KG
 Delivery address: Mackenrodtstraße 14
 36039 Fulda, Germany
 Postal address: 36035 Fulda, Germany
 Phone: +49 661 6003-0
 Fax: +49 661 6003-607
 Email: mail@jumo.net
 Internet: www.jumo.net

JUMO Instrument Co. Ltd.
 JUMO House
 Temple Bank, Riverway
 Harlow, Essex, CM20 2DY, UK
 Phone: +44 1279 63 55 33
 Fax: +44 1279 62 50 29
 Email: sales@jumo.co.uk
 Internet: www.jumo.co.uk

JUMO Process Control, Inc.
 6733 Myers Road
 East Syracuse, NY 13057, USA
 Phone: +1 315 437 5866
 Fax: +1 315 437 5860
 Email: info.us@jumo.net
 Internet: www.jumousa.com



Technical data

Interfaces

System bus (input, lateral) Description Type Number Application	None (side plug connector) System specific 1 Connection to the central processing unit or an input/output module
System bus (output, lateral) Description Type Number Application	None (side plug connector) System specific 1 Connection to an input/output module
System bus (output, front side) Description Type Number Connecting cable Application	Bus Out1, Bus Out2 RJ45 2 Network cable (patch or crossover cable), at least CAT5 (S/FTP) Connection with router modules of the JUMO variTRON automation system

Electrical data

Voltage supply Connection Voltage Residual ripple	Lateral (supply via central processing unit or router module) DC 24 V +25/-20 % SELV 5 %
Current consumption	70 mA (at DC 19.2 V)
Power consumption	1.5 W
Electrical safety	According to DIN EN 61010-1 Overvoltage category III, pollution degree 2
Protection rating	III
Electromagnetic compatibility Interference emission Interference immunity	Acc. to DIN EN 61326-1 Class A – only for industrial use – Industrial requirement

JUMO GmbH & Co. KG
 Delivery address: Mackenrodtstraße 14
 36039 Fulda, Germany
 Postal address: 36035 Fulda, Germany
 Phone: +49 661 6003-0
 Fax: +49 661 6003-607
 Email: mail@jumo.net
 Internet: www.jumo.net

JUMO Instrument Co. Ltd.
 JUMO House
 Temple Bank, Riverway
 Harlow, Essex, CM20 2DY, UK
 Phone: +44 1279 63 55 33
 Fax: +44 1279 62 50 29
 Email: sales@jumo.co.uk
 Internet: www.jumo.co.uk

JUMO Process Control, Inc.
 6733 Myers Road
 East Syracuse, NY 13057, USA
 Phone: +1 315 437 5866
 Fax: +1 315 437 5860
 Email: info.us@jumo.net
 Internet: www.jumousa.com



Housing and environmental conditions

Case type	Plastic case for DIN rail mounting in the control cabinet (indoor use); DIN rail acc. to DIN EN 60715, 35 mm × 7.5 mm × 1 mm
Dimensions (W × H × D)	22.5 mm × 103.6 mm × 101.5 mm (without connection elements)
Weight	Approx. 130 g
Protection type	IP20, according to DIN EN 60529
Ambient temperature range	-20 to +55 °C
Storage temperature range	-40 to +70 °C
Resistance to climatic conditions	Relative humidity ≤ 90 % annual average without condensation (climate class 3K3 acc. to DIN EN 60721-3-3 with extended temperature and humidity range)
Site altitude	Up to 2000 m above sea level
Vibration	Acc. to DIN EN 60068-2-6, table C.2
Amplitude	0.15 mm from 10 to 58.1 Hz
Acceleration	20 m/s ² from 58.1 to 150 Hz
Shock	Acc. to DIN EN 60068-2-27, table A.1
Peak acceleration	150 m/s ²
Shock duration	11 ms

Approvals and approval marks

Approval mark	Test facility	Certificate/certification number	Inspection basis	Valid for
c UL us	Underwriters Laboratories	E201387	UL 61010-1 (3. Ed.), CAN/CSA-22.2 No. 61010-1 (3. Ed.)	All types

JUMO GmbH & Co. KG
 Delivery address: Mackenrodtstraße 14
 36039 Fulda, Germany
 Postal address: 36035 Fulda, Germany
 Phone: +49 661 6003-0
 Fax: +49 661 6003-607
 Email: mail@jumo.net
 Internet: www.jumo.net

JUMO Instrument Co. Ltd.
 JUMO House
 Temple Bank, Riverway
 Harlow, Essex, CM20 2DY, UK
 Phone: +44 1279 63 55 33
 Fax: +44 1279 62 50 29
 Email: sales@jumo.co.uk
 Internet: www.jumo.co.uk

JUMO Process Control, Inc.
 6733 Myers Road
 East Syracuse, NY 13057, USA
 Phone: +1 315 437 5866
 Fax: +1 315 437 5860
 Email: info.us@jumo.net
 Internet: www.jumousa.com



Connection diagram

The connection diagram in the data sheet provides preliminary information about the connection options. For the electrical connection, only use the installation instructions or the operating manual. The knowledge and the correct technical compliance with the safety information and warnings contained in these documents are mandatory for mounting, electrical connection, and startup as well as for safety during operation.

Interfaces

Connection	Description	Connection element	Assignment
System bus Out1 (output)	Bus Out1		1 TX+ Transmission data + 2 TX- Transmission data - 3 RX+ Received data + 6 RX- Received data -
System bus Out2 (output)	Bus Out2		1 TX+ Transmission data + 2 TX- Transmission data - 3 RX+ Received data + 6 RX- Received data -

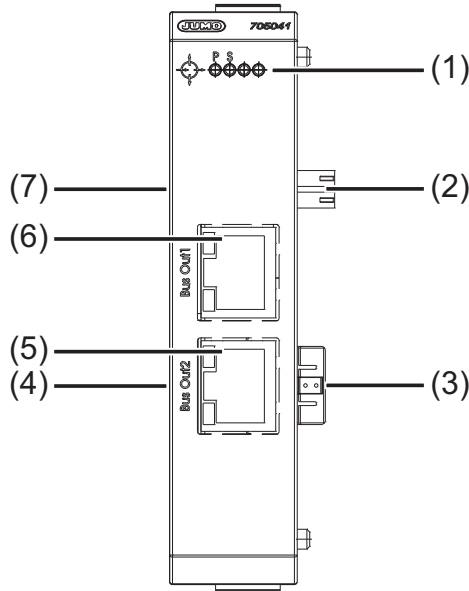
JUMO GmbH & Co. KG
 Delivery address: Mackenrodtstraße 14
 36039 Fulda, Germany
 Postal address: 36035 Fulda, Germany
 Phone: +49 661 6003-0
 Fax: +49 661 6003-607
 Email: mail@jumo.net
 Internet: www.jumo.net

JUMO Instrument Co. Ltd.
 JUMO House
 Temple Bank, Riverway
 Harlow, Essex, CM20 2DY, UK
 Phone: +44 1279 63 55 33
 Fax: +44 1279 62 50 29
 Email: sales@jumo.co.uk
 Internet: www.jumo.co.uk

JUMO Process Control, Inc.
 6733 Myers Road
 East Syracuse, NY 13057, USA
 Phone: +1 315 437 5866
 Fax: +1 315 437 5860
 Email: info.us@jumo.net
 Internet: www.jumousa.com

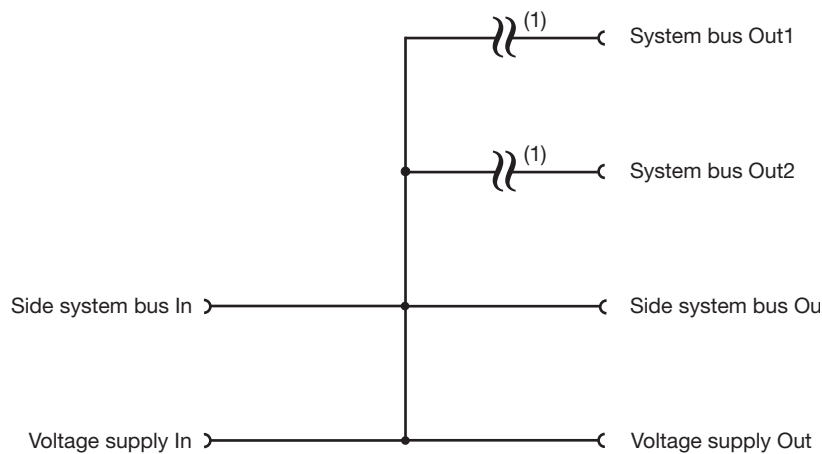


Display and connection elements



- (1) Status displays (LED):
 P = Voltage supply
 S = Status
- (2) Voltage supply Out, DC 24 V
- (3) Side system bus Out (output)
- (4) Side system bus In (input)
- (5) System bus Out2 (output)
- (6) System bus Out1 (output)
- (7) Voltage supply In, DC 24 V

Electrical isolation



(1) Functional galvanic isolation for connection of SELV or PELV electrical circuits.

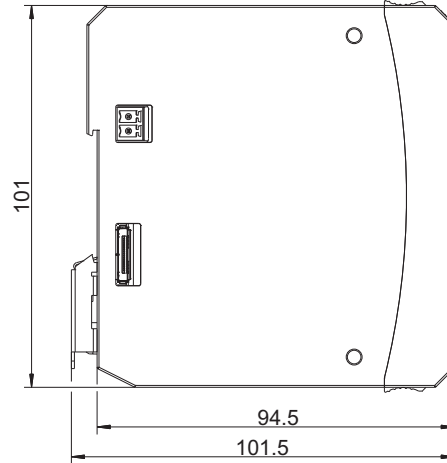
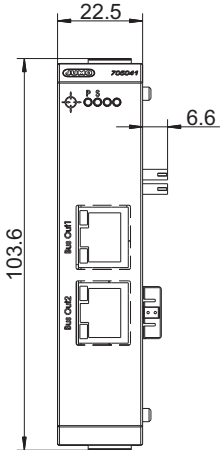
JUMO GmbH & Co. KG
Delivery address: Mackenrodtstraße 14
36039 Fulda, Germany
Postal address: 36035 Fulda, Germany
Phone: +49 661 6003-0
Fax: +49 661 6003-607
Email: mail@jumo.net
Internet: www.jumo.net

JUMO Instrument Co. Ltd.
JUMO House
Temple Bank, Riverway
Harlow, Essex, CM20 2DY, UK
Phone: +44 1279 63 55 33
Fax: +44 1279 62 50 29
Email: sales@jumo.co.uk
Internet: www.jumo.co.uk

JUMO Process Control, Inc.
6733 Myers Road
East Syracuse, NY 13057, USA
Phone: +1 315 437 5866
Fax: +1 315 437 5860
Email: info.us@jumo.net
Internet: www.jumousa.com



Dimensions



Compatibility

JUMO variTRON

See data sheet of the relevant central processing unit JUMO variTRON:
Data sheet 70500x

JUMO GmbH & Co. KG
 Delivery address: Mackenrodtstraße 14
 36039 Fulda, Germany
 Postal address: 36035 Fulda, Germany
 Phone: +49 661 6003-0
 Fax: +49 661 6003-607
 Email: mail@jumo.net
 Internet: www.jumo.net

JUMO Instrument Co. Ltd.
 JUMO House
 Temple Bank, Riverway
 Harlow, Essex, CM20 2DY, UK
 Phone: +44 1279 63 55 33
 Fax: +44 1279 62 50 29
 Email: sales@jumo.co.uk
 Internet: www.jumo.co.uk

JUMO Process Control, Inc.
 6733 Myers Road
 East Syracuse, NY 13057, USA
 Phone: +1 315 437 5866
 Fax: +1 315 437 5860
 Email: info.us@jumo.net
 Internet: www.jumousa.com



Order details

(1) Basic type
705041 Router module 2-port
(2) Voltage supply
36 DC 24 V +25/-20 %, SELV
(3) DNV GL approval
000 Without approval

	(1)		(2)		(3)
Order code	705041	/	36	/	000
Order example	705041	/	36	/	000

Scope of delivery

1 router module 2-port
1 installation instructions